

# HD Multisensor Dome Cameras

AVIGILON

Avigilon offers the broadest range of high definition cameras in the industry – from 1 – 5 MP and 4 – 7K (based on horizontal resolution) – and are available in a variety of formats, including dome, panoramic and fixed. Whether it's a small storefront that requires a few cameras or a large complex system requiring complete coverage of numerous areas, you can trust that you're getting the best solution for your security needs.

The innovative HD Multisensor dome camera is just one way Avigilon can help provide the very best monitoring and protection.



Avigilon's HD Multisensor dome camera offers unsurpassed image quality and flexibility with multi-directional scene coverage. Available in 3 (9 MP) or 4 (12 MP) sensor configurations, each equipped with a remote zoom and focus lens, one HD Multisensor dome can replace a PTZ or multiple fixed cameras, requiring just a single installation with one ethernet cable and one camera license. Avigilon's innovative camera track design allows three or four individual camera gimbals to be individually positioned in flexible configurations to meet challenging field of view requirements. Available in 3 easy to install configurations; in-ceiling, and IP66 and IK10 rated surface mount and outdoor pendant, the HD Multisensor dome camera is ready for all environments.

## KEY FEATURES

- 3 x 3 MP (9 MP) or 4 x 3 MP (12 MP) 1/3" Progressive scan sensor
- Each lens is a 3 MP 2.8-8mm remote zoom and focus lens
- H.264 and Motion JPEG compression
- 100dB Wide Dynamic Range performance
- ONVIF compliant API
- Automatic exposure control and iris control
- Automatic removable IR cut filter for IR sensitivity at night
- Power over Ethernet, 24 VAC or 24 VDC power input
- External microphone and speaker support for two-way audio
- External I/O interface for connecting alarms and relays
- Supports broad environmental conditions for challenging outdoor installations.

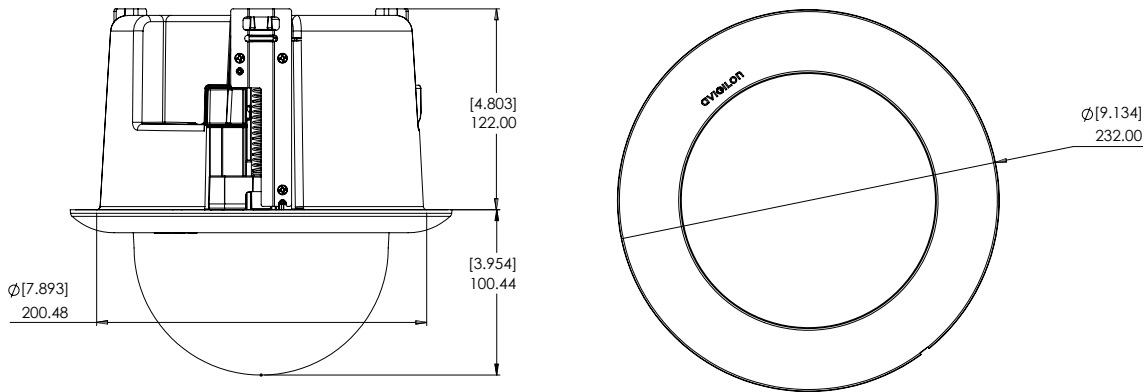
# Specifications

HD MULTISENSOR DOME CAMERAS

		IN-CEILING MOUNT (H3-MH-DC)	SURFACE MOUNT (H3-MH-DO)	PENDANT MOUNT (H3-MH-DP)	
<b>IMAGE PERFORMANCE</b> (per image sensor)	Image Sensor	WDR 1/3" progressive scan CMOS			
	Active Pixels	per image sensor	2048 (H) x 1536 (V)		
		3 x image sensor	6144 (H) x 1536 (V)		
		4 x image sensor	8192 (H) x 1536 (V)		
	Imaging Area	4.5 mm (H) x 3.4 mm (V); 0.189" (H) x 0.106" (V)			
	Minimum Illumination	0.23 lux (F1.3) in color mode; 0.023 lux (F1.3) in monochrome mode			
	Dynamic Range	100 dB			
Image Rate	3 image sensor model: 20 fps per image sensor 4 image sensor model: 15 fps per image sensor				
Resolution Scaling	Down to 352 x 240				
<b>LENS</b> (per image sensor)	Lens	2.8-8mm, F1.3, P-Iris, remote zoom and focus			
	Angle of View	32.5° - 93°			
<b>IMAGE CONTROL</b>	Image Compression Method	H.264 (MPEG-4 Part 10/AVC), Motion JPEG			
	Streaming	Multi-stream H.264 and Motion JPEG			
	Motion Detection	Selectable sensitivity and threshold			
	Electronic Shutter Control	Automatic, Manual (1/6 to 1/8000 sec)			
	Iris Control	Automatic, Manual			
	Day/Night Control	Automatic, Manual			
	Flicker Control	50 Hz, 60 Hz			
	White Balance	Automatic, Manual			
	Backlight Compensation	Adjustable			
	Privacy Zones	Up to 64 zones			
	Audio Compression Method	G.711 PCM 8 kHz			
	Audio Input/Output	Line level input and output			
	External I/O Terminals	Alarm In, Alarm Out			
	<b>NETWORK</b>	Network	100BASE-TX		
Cabling Type		CAT5			
Connector		RJ-45			
API		ONVIF compliance version 1.02, 2.00, Profile S ( <a href="http://www.onvif.org">www.onvif.org</a> )			
Security		Password protection, HTTPS encryption, digest authentication, WS authentication, user access log, 802.1x port based authentication			
Protocol		IPv4, HTTP, HTTPS, SOAP, DNS, NTP, RTSP, RTCP, RTP, TCP,UDP, IGMP, ICMP, DHCP, Zeroconf, ARP,			
Streaming Protocols		RTP/UDP, RTP/UDP multicast, RTP/RTSP/TCP, RTP/RTSP/HTTP/TCP, RTP/RTSP/HTTPS/TCP, HTTP			
<b>MECHANICAL</b>		Dimensions (ØxH)	232 mm x 222.44mm; 9.134" x 8.757"	213 mm x 160 mm; 8.4" x 6.3"	226 mm x 299.77 mm; 8.9" x 11.8"
	Weight	2.18 kg (4.85 lbs)	3.3 kg (7.3 lbs)	3.9 kg (8.6 lbs)	
	Dome Bubble	Acrylic, clear	Polycarbonate, clear	Polycarbonate, clear	
	Body	Plastic	Aluminum	Aluminum	
	Housing	Recessed mount	Surface mount	Pendant mount	
	Finish	Plastic, RAL 9003	Powder coat, cool gray 2	Powder coat, cool gray 2	
	Tilt	+10° to +67° (depending on position of image sensors)			
	Pan	+/-12° to +/-30° (depending on position of image sensors)			
	Azimuth	+/- 180°			
	Onboard Storage	SD/SDHC/SDXC slot – minimum class 4; class 6 or better recommended			
	<b>ELECTRICAL</b>	Power Consumption	13 W with external power or IEEE 802.3af Class 3 PoE	26 W with external power or IEEE 802.3at Type 2 PoE Plus 13 W with IEEE 802.3af Class 3 power	
Power Source		VDC: 24 V +/- 10%, 13 W min VAC: 24 V +/- 10%, 19 VA min PoE: IEEE 802.3af Class 3	VDC: 24 V +/- 10%, 26 W min. VAC: 24 V +/- 10%, 37 VA min. PoE: IEEE 802.3af Class 3 or IEEE 802.3at Type 2	VDC: 24 V +/- 10%, 26 W min. VAC: 24 V +/- 10%, 37 VA min. PoE: IEEE 802.3af Class 3 or IEEE 802.3at Type 2	
Power Connector		2-pin terminal block	2-pin terminal block	Waterproof 2-pin connector	
RTC Backup Battery		3V Manganese Lithium	3V Manganese Lithium	3V Manganese Lithium	
<b>ENVIRONMENTAL</b>	Operating Temperature	-10 °C to +50 °C (14 °F to 122 °F)	-40 °C to +50 °C (-40 °F to 122 °F) with external power or IEEE 802.3at Type 2 PoE Plus -20 °C to +50 °C (-4 °F to 122 °F) with IEEE 802.3af Class 3 power		
	Storage Temperature	-10 °C to +70 °C (14 °F to 158 °F)			
	Humidity	0 - 95% non-condensing			
<b>CERTIFICATIONS</b>	Safety	UL 60950    CSA 60950	CB Scheme    UUV	RCM	
	Environment	IK10 Impact Rating		Meets IP66 Weather Rating	
	Electromagnetic Emissions	IC ICES-003 Class B	FCC Part 15 Subpart B Class B	EN 55022 Class B    EN 61000-3-2    EN 61000-3-3	
	Electromagnetic Immunity	EN 55024 Class B    EN 61000-4-2	EN 61000-4-3    EN 61000-4-4	EN 61000-4-5    EN 61000-4-6    EN 61000-4-8    EN 61000-4-11	

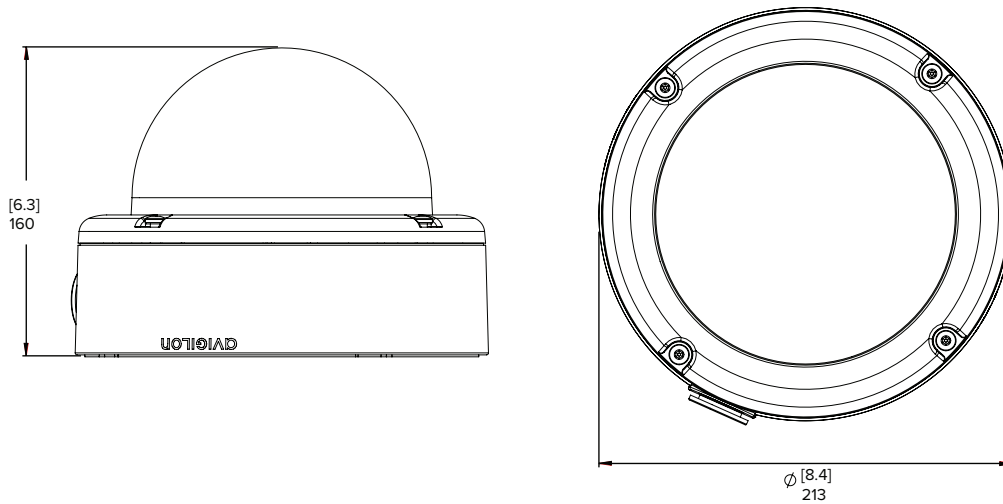
# Outline Dimensions

## In-Ceiling Mount

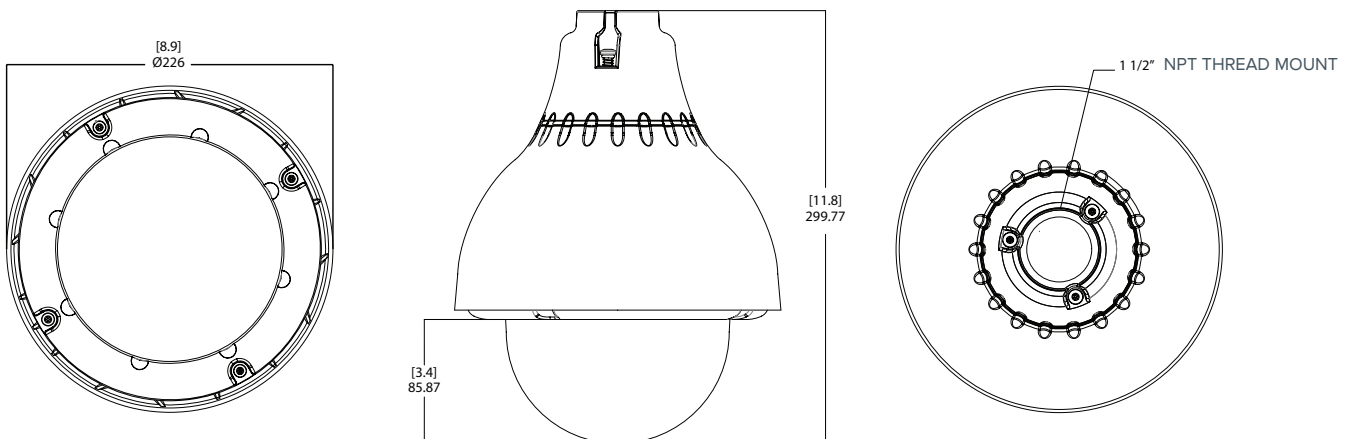


## Surface Mount

[X.X]	INCHES
X	MM



## Pendant Mount



# Ordering Information

## IN-CEILING MOUNT

9W-H3-3MH-DC1	3 x Image Sensor In-Ceiling HD Multisensor Dome Camera
12W-H3-4MH-DC1	4 x Image Sensor In-Ceiling HD Multisensor Dome Camera
H3PTZ-DC-PNL	Metal Ceiling Panel
H3PTZ-DC-CLEAR	In-ceiling dome camera cover with Clear Bubble
H3PTZ-DC-SMOKE	In-ceiling dome camera cover with Smoked Bubble

## SURFACE MOUNT

9W-H3-3MH-DO1	3 Image Sensor Outdoor HD Multisensor Dome Camera
12W-H3-4MH-DO1	4 Image Sensor Outdoor HD Multisensor Dome Camera
H3PTZ-DP-SMOKE	Dome Camera Cover with Smoked Bubble

## PENDANT MOUNT

9W-H3-3MH-DP1	3 Image Sensor Pendant HD Multisensor Dome Camera
12W-H3-4MH-DP1	4 Image Sensor Pendant HD Multisensor Dome Camera
MNT-PEND-WALL	Indoor/Outdoor Pendant Mount Bracket
MNT-AD-POLE-B	Pole Mounting Bracket
MNT-AD-CORNER	Corner Mounting Bracket
H3PTZ-DP-SMOKE	Dome Camera Cover with Smoked Bubble